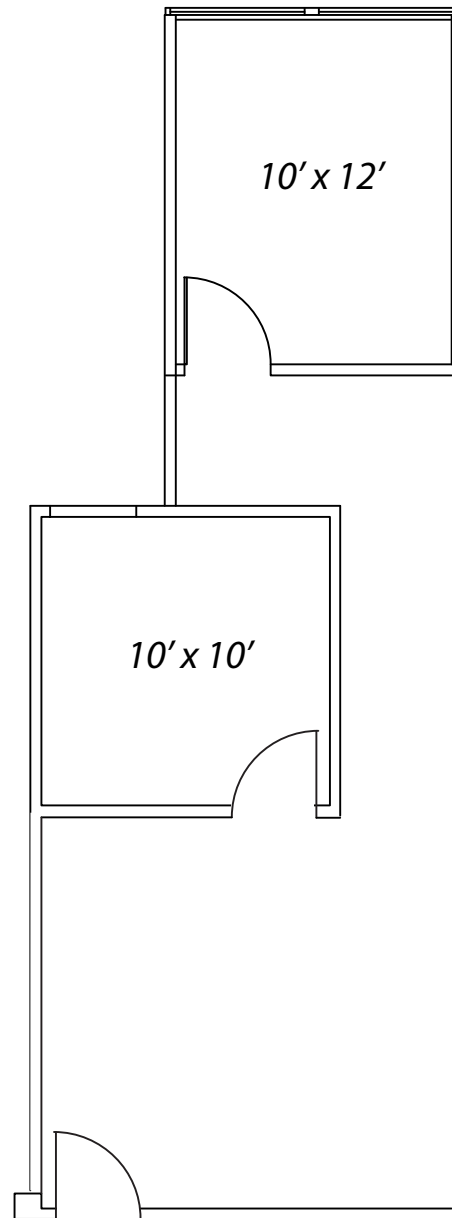


## Suite 226 - 625 sf



*\* All measurements are approximate*

**On-Site Leasing Office**  
2189 Cleveland Street, Suite 209  
Clearwater, Florida 33765

[www.ArcisLeasing.com](http://www.ArcisLeasing.com)

For Additional Information  
**727.202.9595**

**Owned &  
Managed By:**

