

Office Space For Lease

Highpoint Office Center

400 Vestavia Parkway
Vestavia Hills, Alabama 35216

For more information
please contact:

Steve Butler
Engel Realty
Phone: (205) 939-8217
Fax: (205) 939-6817
sbutler@engelrealty.com

www.LeaseBham.com

Available Space
Up to 6,457 sf contiguous
Divisible & Customizable

Floorplans on Website

Possession
Immediate possession on
most suites

Term
Negotiable

Location
Located near Interstate 65

Nearby to Montgomery
Highway (US 31)

Surrounded by beautiful
wooded scenery & lush
landscaping

Easy access to the Birmingham
Central Business District

Building-Wide Generator!





FEATURES:

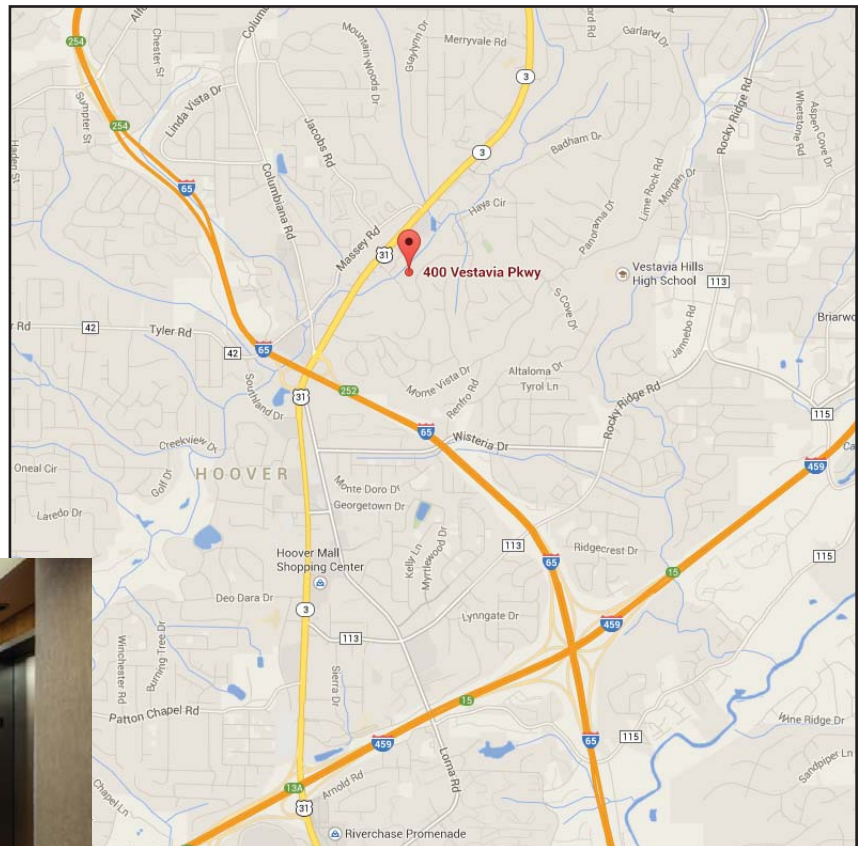
Building Generator - This amenity provides emergency power to the entire building! You can be confident that your business will be operational even when the power goes out!

On-Site UPS, & FedEx drop boxes

www.LeaseBham.com

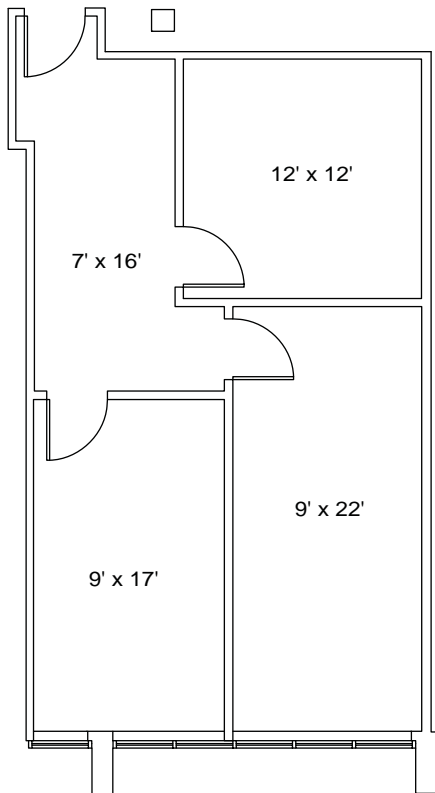
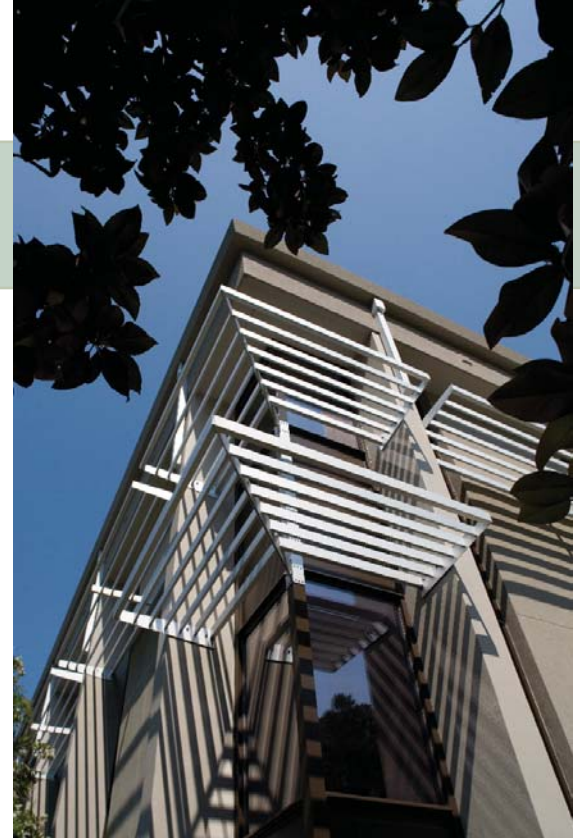
Highpoint Office Center

400 Vestavia Parkway
Vestavia Hills, Alabama 35216

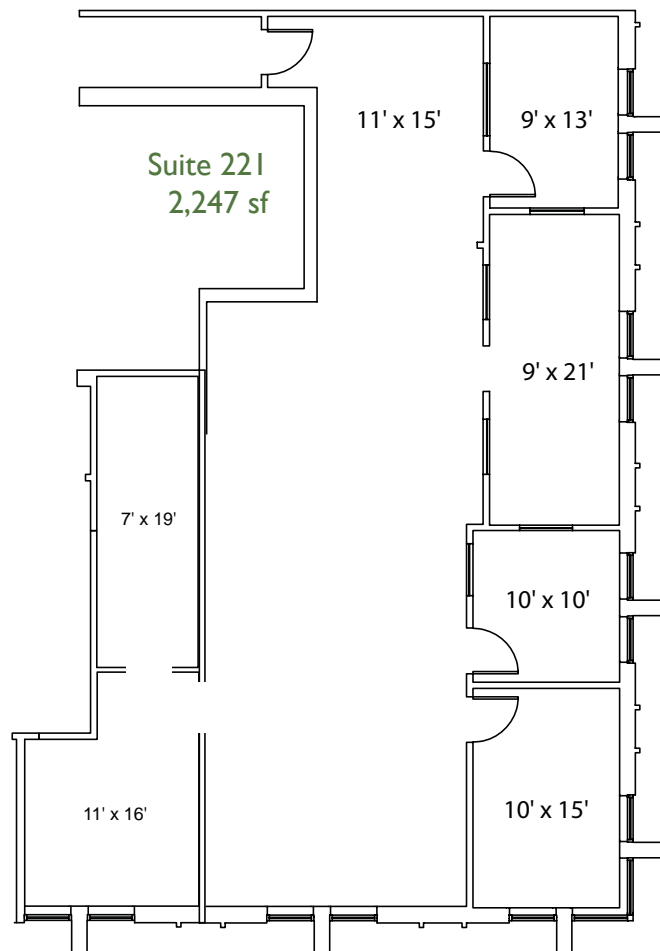


Highpoint Office Center

Walker Building - Floorplans



Suite 120
803 sf



Suite 221
2,247 sf

For more information
please contact:

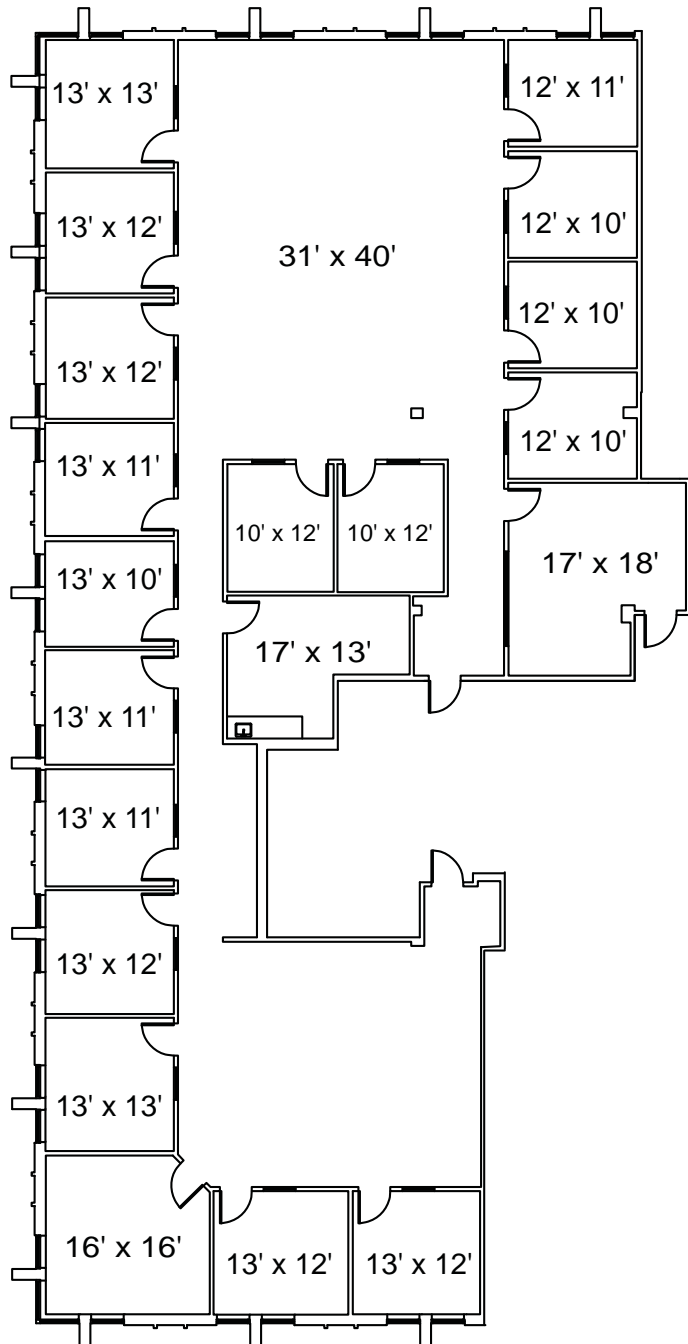
Steve Butler
Engel Realty
Phone: (205) 939-8217
Fax: (205) 939-6817
sbutler@engelrealty.com
www.LeaseBham.com

Highpoint Office Center

Walker Building - Floorplans



Suite 400
6,457 sf



For more information
please contact:

Steve Butler
Engel Realty
Phone: (205) 939-8217
Fax: (205) 939-6817
sbutler@engelrealty.com
www.LeaseBham.com

