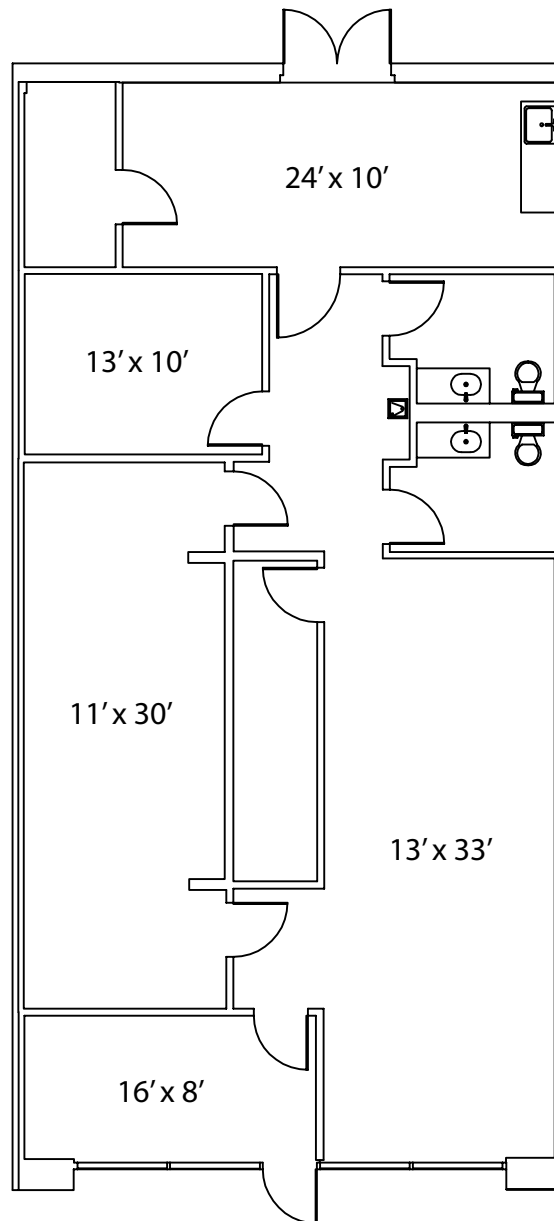


Lakeshore Crossings

1,900 sf



Steve Butler
 Engel Realty
 951 18th Street South, Suite 200
 Birmingham, AL 35205
 Phone: (205) 939-8217
 Fax: (205) 939-6817
 sbutler@engelrealty.com
 www.LeaseBham.com

Disclaimer: The above dimensions are not to scale. The available space shown is believed to be correct but is subject to change & measurements are approximate.



SUITE 200
 201 LONDON PARKWAY
 BIRMINGHAM, AL. 35211



American Building Calculations
 2209 Collier Parkway, Suite 118
 Land O Lakes, FL. 34639
 Phone: 813.600.5472
 http://www.abccalc.biz

Measured by:	JM	02/08
Drawn by:	JM	02/08
Scale:	3/32" = 1'-0"	